



HERMIT CRAB



Hermit Crab

The Hermit Crab is an innovative new system for the printer. It is upgraded by R&D team of Shenzhen Big Tree Technology Co., Ltd. It is an alternative of the traditional BOM slider on the X-axis. Attached to the linear rail, it can mount various hot ends. So that the printing perform more accurate and smooth.

Features:

- ★ Upgrade of traditional BOM slider / Smoother moving
- ★ Compatible with various hot ends, such as nozzles, laser heads and CNC cutter heads
- ★ High motion precision and excellent printing performance.
- ★ With spring clips, easy to install and remove
- ★ High adaptability, with multiple ports and fixed holes.

Recommended linear rails for the following printers

	Ender_3	Ender_3V2	CR-6 SE	BIQU-B1-SE-PLUS	BIQU-BX	Other
MGN12H Linear Rail	310mm	320mm	345mm	400mm	330mm	TBD

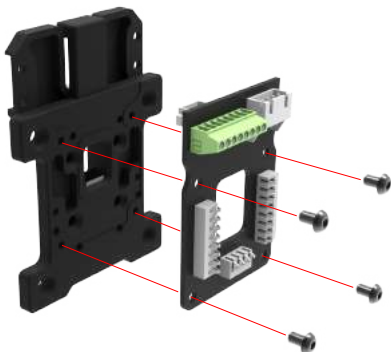
Install the linear rail to the X-axis of the printer.

I \ Installation instructions

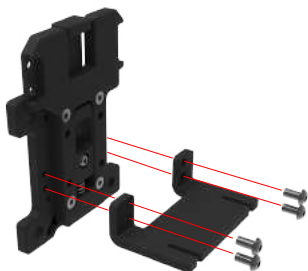
Press the button to loosen the upper part as shown



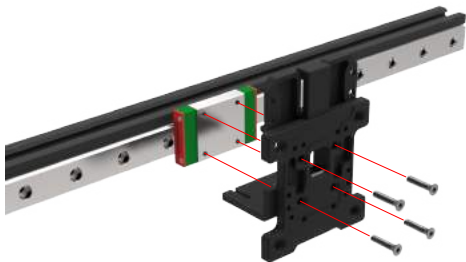
Remove the PCB board as shown



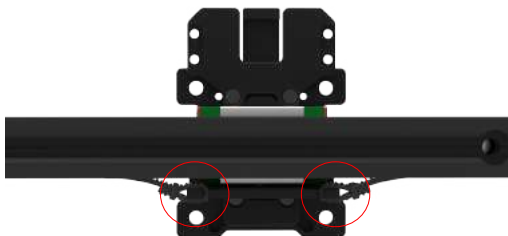
Install the timing belt mounting bracket



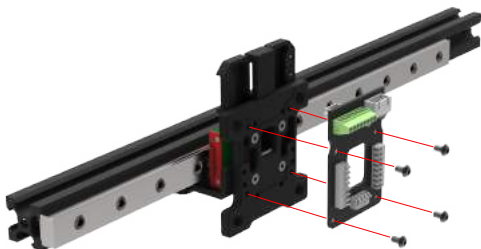
Attach the above mobile plate to the slider



Install the timing belt



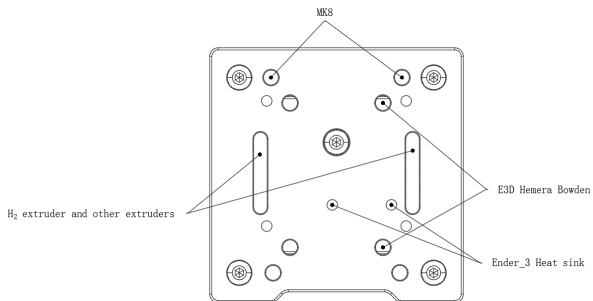
Mount the PCB board using the 4 screws



Installing the fixed plate



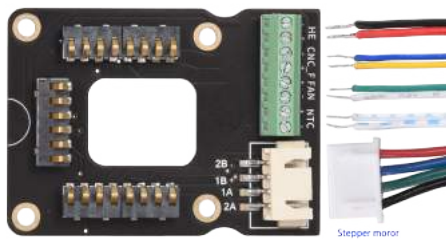
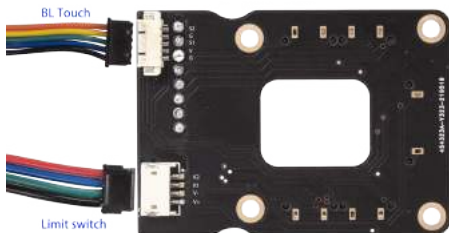
II、 Compatible extruders and accessories



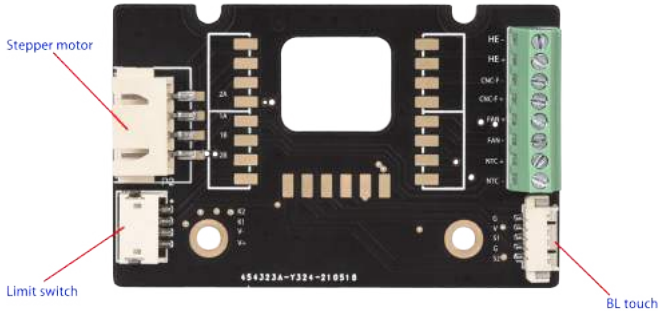
Hermit Crab can mount nozzles, laser heads, CNC cutter heads and so on.

III、PCB board interfaces

PCB-F

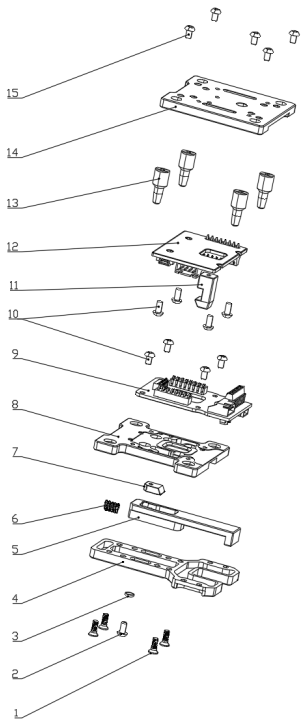


PCB-M



- ① HE: Heating rod interface
- ② CNC-F: Controllable fan interface
- ③ FAN: Normal fan interface
- ④ NTC: Thermistor interface
- ⑤ For 2 two-phase four-wire stepper motors
- ⑥ Limit switch interface
- ⑦ BL Touch interface

The interfaces on the PCB board works on the print nozzles, BL Touch level and limit switch.



15.M3x6 dome head screw M3x6

14.Fixed plate

13.Positioning pins

12.PCB-M

11.Barb block

10.M3x6 bolt

9.PCB -F

8 Mobile block

7.Pull hook

6.Spring

5.Slider

4.Slide fixed plate

3.M3 spring spacer

2.M3x6 dome head screw

1.M3x8 countersunk screw

HERMIT CRAB




Facebook Group



Twitter



Youtube

 Address: 2006, 4th Building, First phase of Cloud Park, Bantian Street, Longgang District, Shenzhen, Guangdong, China

 www.biqu3d.com

 +86 755 3313 3143